



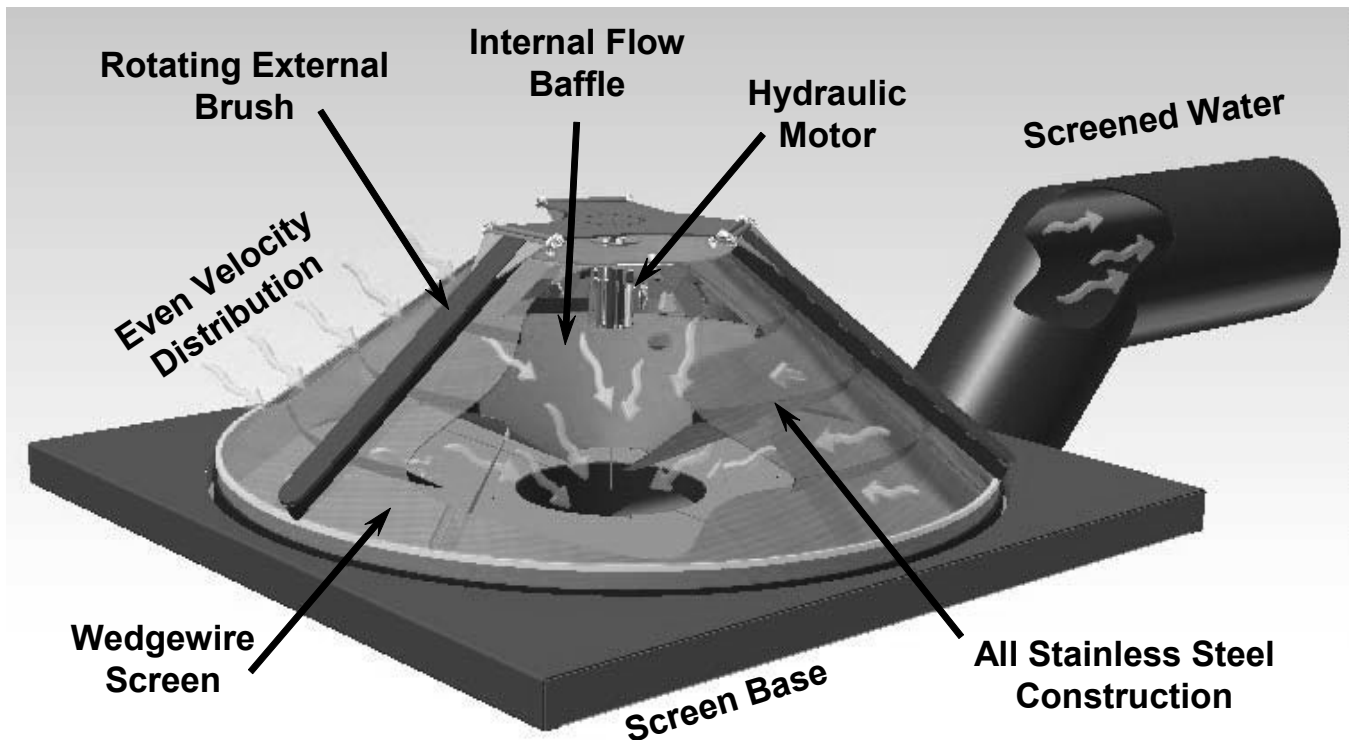
Intake Screens, Inc.

Since 1996

ISI Cone Screen for Shallow Problematic Intakes

(Patent Nos. 5,851,087 and 6,089,790)

- Rotating Brush Arms Keep Screen and Base Free of Silt and Debris Build-up
- External Brushing is a Durable and Proven Technology
- Minimizes Headloss and Clogging Even with Fine-Mesh Openings
- Complies with Regulatory Criteria



FEATURES:

- ◆ Powerful brushing action and brush rake prevents biofouling and debris plugging
- ◆ Wedgewire screen designed for fish protection, filtration, and hydraulic loads
- ◆ Cone provides large screen area in shallow water applications (small footprint)
- ◆ Internal baffle distributes flow evenly across the screen surface
- ◆ Easy installation and removal
- ◆ Marine-duty hydraulic motor rotates brushes in BOTH directions
- ◆ Hydraulic system requires minimal input power — brush system can operate on standard line voltage, solar power, or propeller-drive
- ◆ Base diameters from 5.5 to 12 feet — adaptable to concrete or steel base structure
- ◆ Remote monitoring and control system—SCADA interface
- ◆ Design services and installation assistance available

Applications for Shallow, Estuarine, Silty, and/or Backwater Areas with Heavy Debris Loads



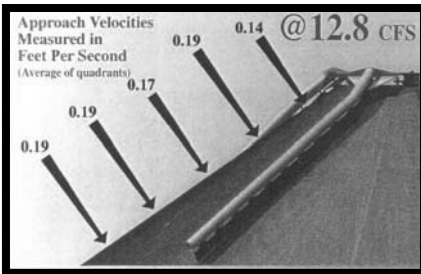
Above: Screen can be adapted to fit on existing intakes in shallow areas or be made retrievable.



Above: Screen installed at shallow impoundment behind inflatable dam.

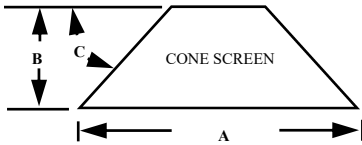


Above: Screens are built to operate in extreme conditions with heavy loads.



Left: Screens have been field tested by the National Marine Fisheries Service, California DWR, and UC Davis.

Right: Remote sites can be operated using solar power or by using a propeller-drive system as shown. Screen bases can be custom built to fit most any application.



Cone Screen Specifications

| Model | Unit Dimensions A - B - C | Unit Weight | Screen Surface Area | Allowable Flow Rates * |
|-------------|------------------------------|-------------|--|------------------------|
| | | | | |
| ISI C66-18 | 66" - 18" - 35° | 430 lbs. | 26.8 ft ² (2.49 m ²) | |
| ISI C78-21 | 78" - 21" - 35° | 650 lbs. | 38.5 ft ² (3.58 m ²) | |
| ISI C96-24 | 96" - 24" - 35° | 980 lbs. | 54.8 ft ² (5.09 m ²) | |
| ISI C120-32 | 120" - 32" - 35° | 1,170 lbs. | 89.0 ft ² (8.26 m ²) | |
| ISI C144-41 | 144" - 41" - 35° | 1,500 lbs. | 131.9 ft ² (12.25 m ²) | |

- * 1) Allowable flows based on using wedgewire screens with 50% open area. Typical screen with 1.75mm wire is shown below;
- 2) If cone is not fully submerged, allowable flow rates will be reduced;
- 3) Maximum recommended slot velocity is 0.5 fps for most applications subject to heavy debris;
- 4) Many fisheries agencies use a maximum approach velocity criteria instead of slot velocity. Approach Velocity is the component of velocity perpendicular to the screen surface and measured 3 inches away. A minimum open area is generally specified;
- 5) Regulatory design criteria varies and typically depends on fish protection needs. Call for information on slot sizes below 1mm.



For more information contact:

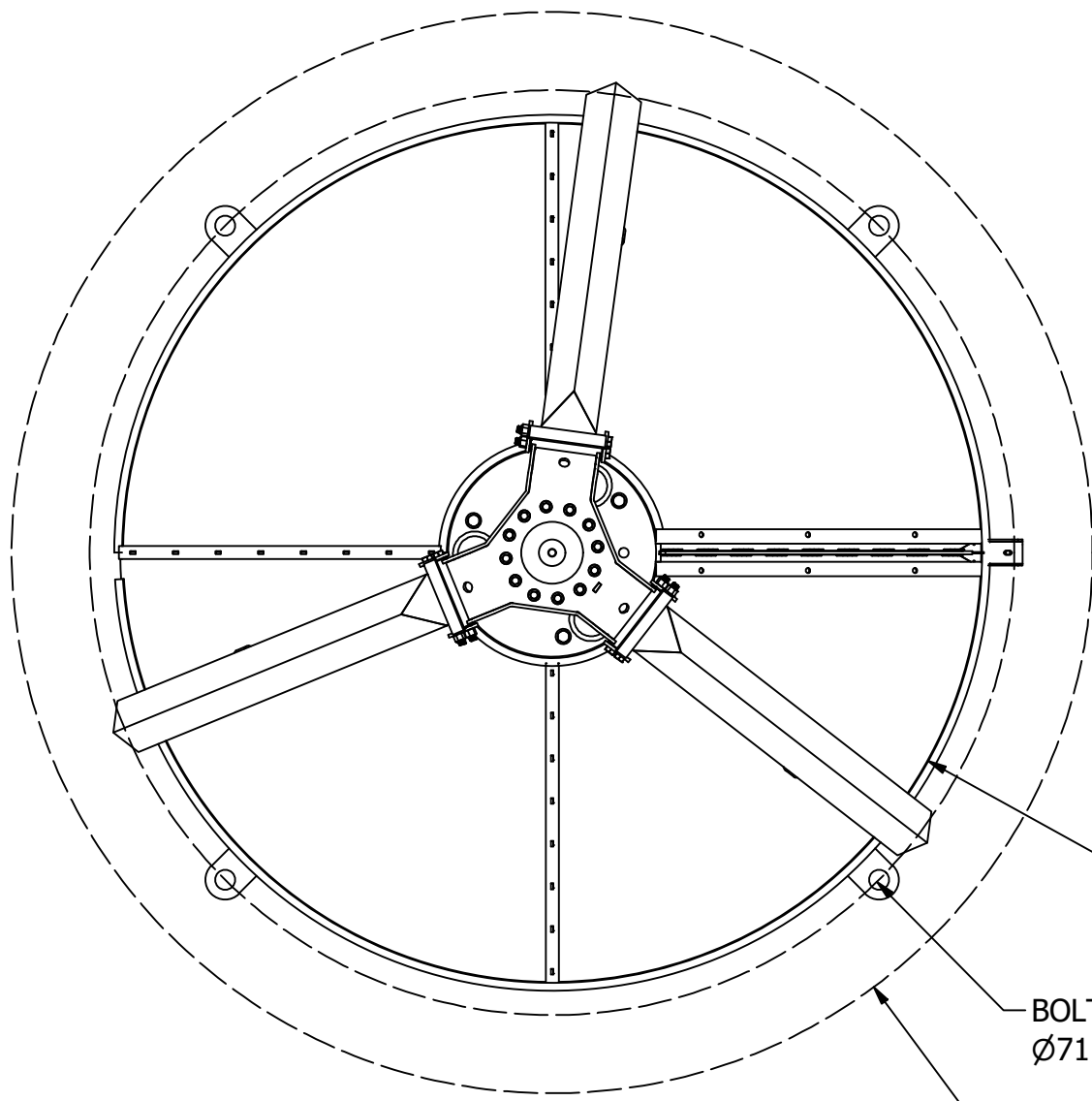
E-mail: screens@intakescreensinc.com

Website: www.IntakeScreensInc.com

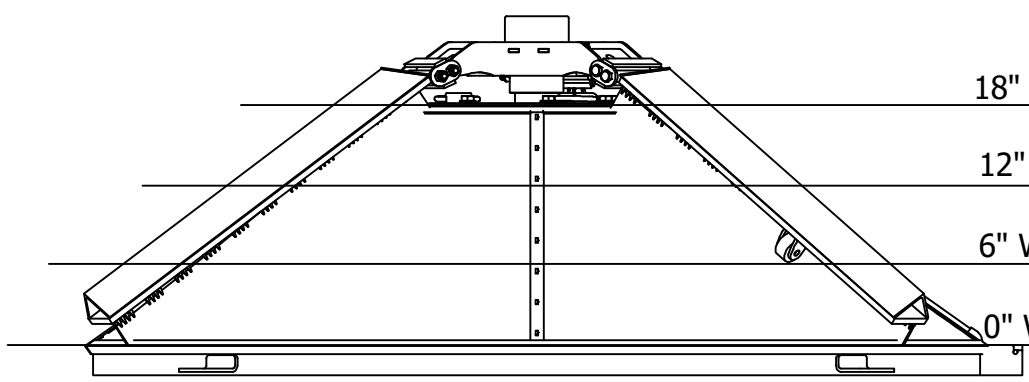
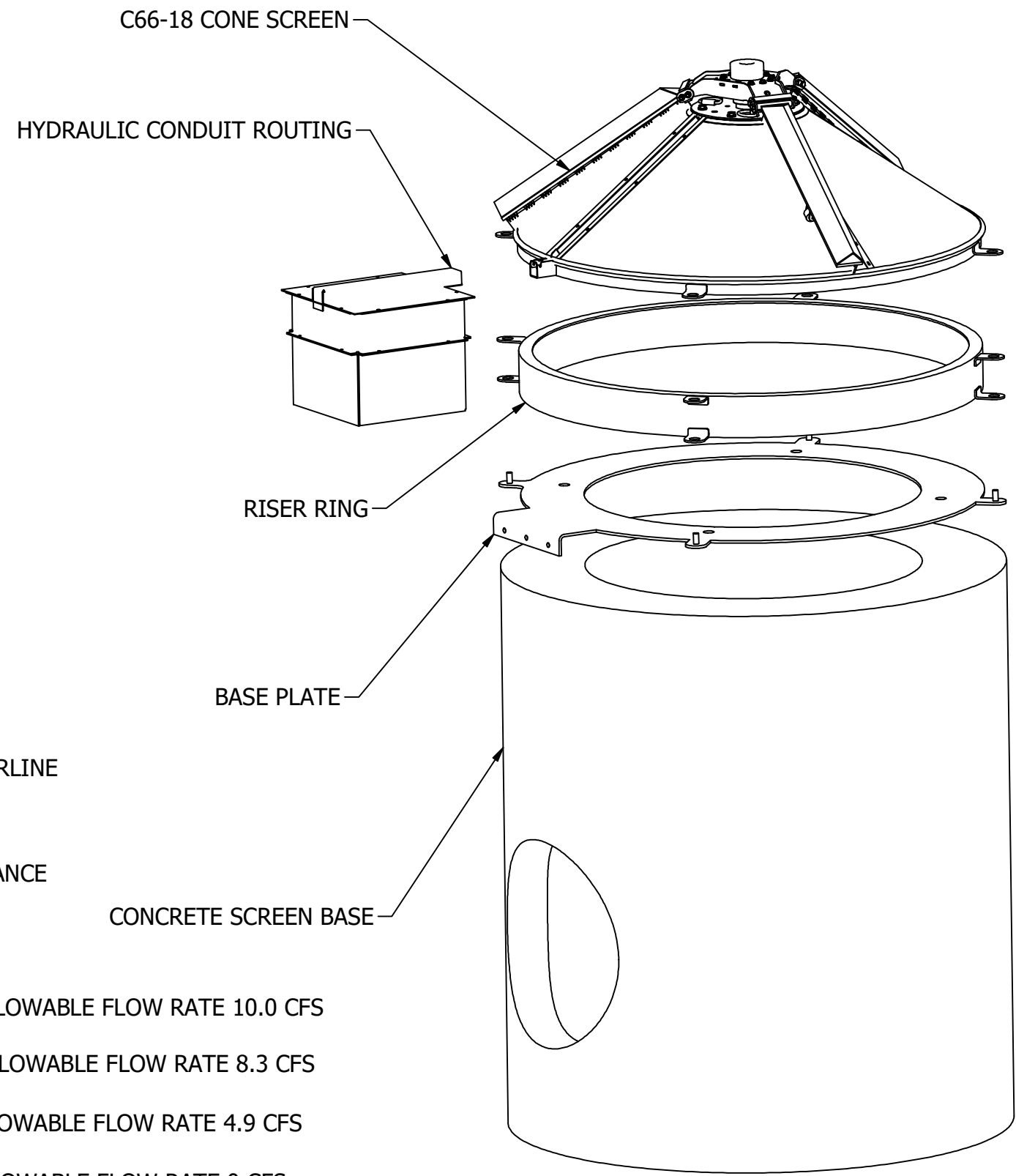
Office: 8417 River Road, Sacramento, CA 95832

Phone: (916) 665-2727 Fax: (916) 665-2729





Ø66"
 BOLT HOLE CENTERLINE
 Ø71
 OPERATING CLEARANCE
 Ø83



18" WATER DEPTH: ALLOWABLE FLOW RATE 10.0 CFS
 12" WATER DEPTH: ALLOWABLE FLOW RATE 8.3 CFS
 6" WATER DEPTH: ALLOWABLE FLOW RATE 4.9 CFS
 0" WATER DEPTH: ALLOWABLE FLOW RATE 0 CFS

1.75mm SLOT OPENING / 50% OPEN AREA
0.4 FPS APPROACH VELOCITY

© 2021 Intake Screens, Inc.

| | | | |
|---|-----------------|---|----------|
| A | DRAWING RELEASE | 7/26/21 | ZB |
| REV | DESCRIPTION | DATE | APPROVED |
| ALL DIMENSIONS IN INCHES UNLESS NOTED | | | |
| Designs are property of INTAKE SCREENS INC; and are subject to change without notice. | | STANDARD TOLERANCES Fractional Dimensions ± 1/32 Decimal Dimensions ± 0.005 | |

www.intakescreensinc.com
 CA C.L. 796197

8417 River Road - Sacramento, California 95832
 (916) 665-2727 (916) 665-2729 FAX

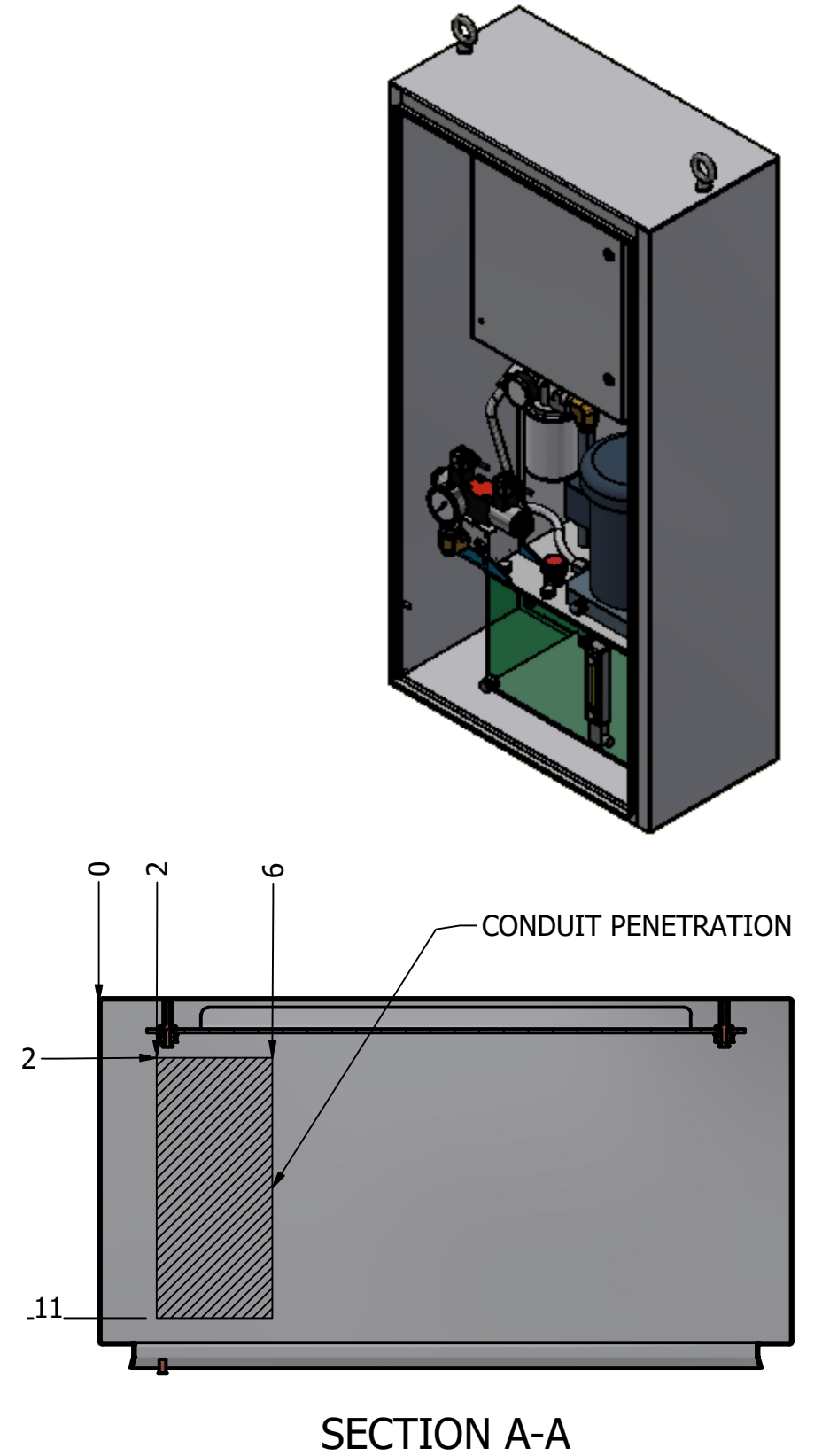
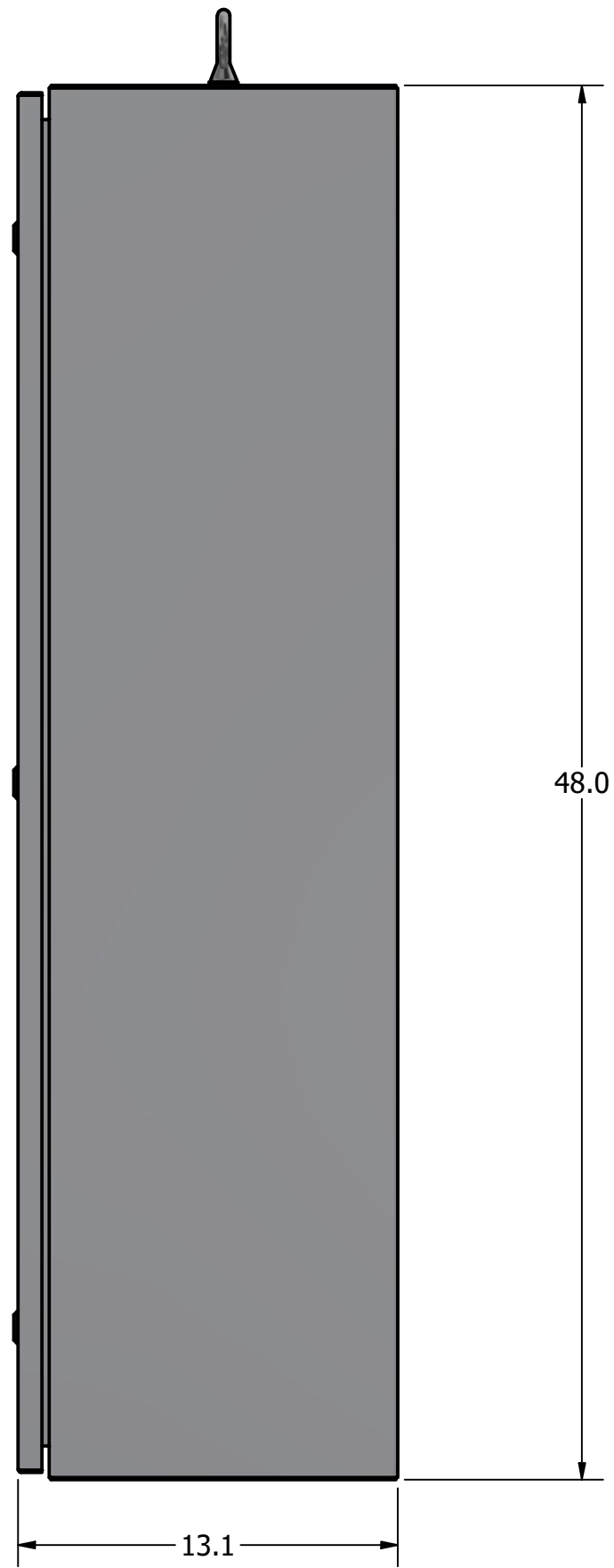
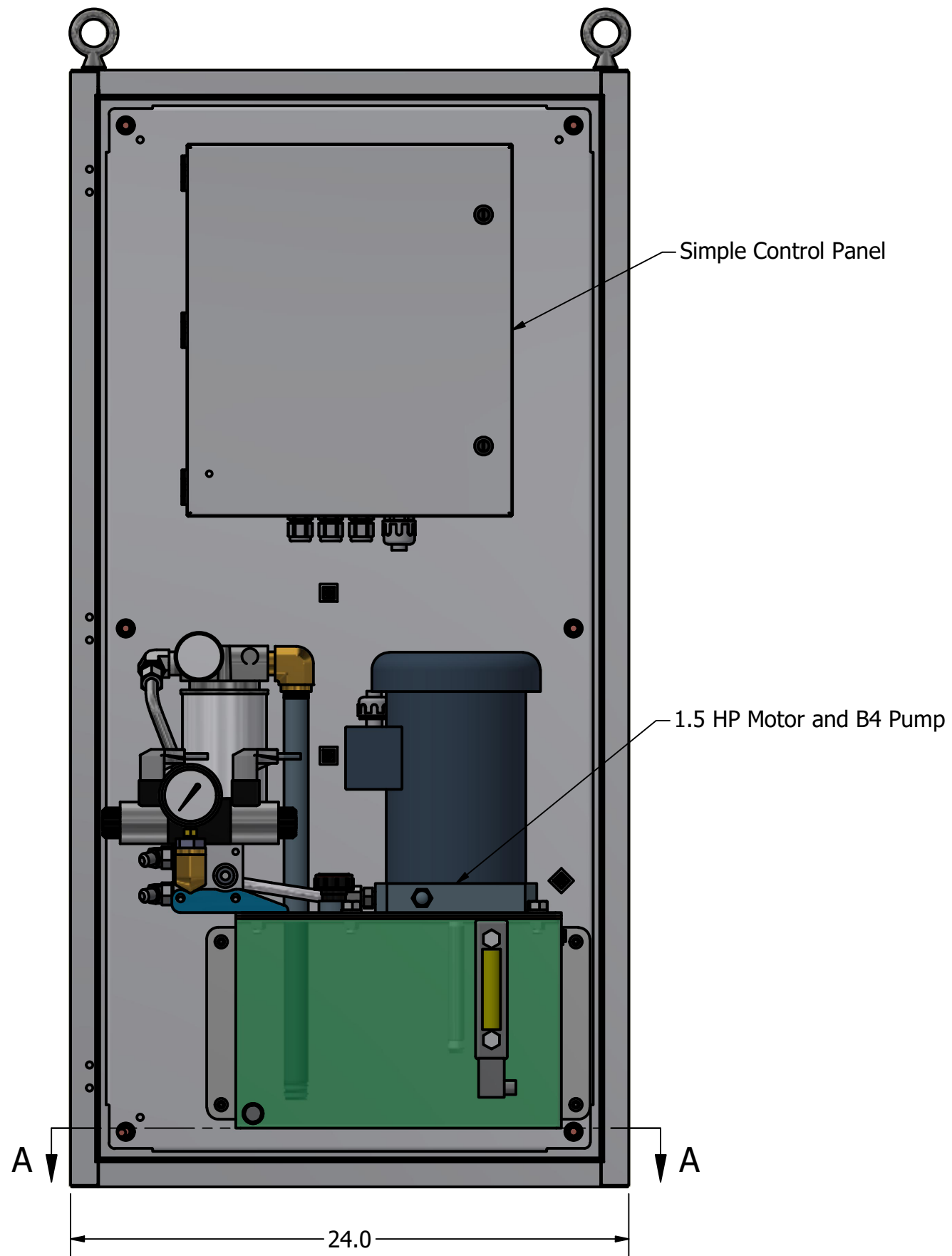
| | |
|-----------------|------------------|
| DATE | 7/26/21 |
| APP'D BY | RUSSELL BERRY IV |
| DRAWN BY | ZACH BREDBERG |
| "B" SHEET SCALE | |

| | |
|---------|------------------|
| PROJECT | CASCADE ORCHARDS |
|---------|------------------|

| | |
|-------------|--|
| DESCRIPTION | |
| MATERIAL | |

| | |
|----------------|---------------------------|
| DRAWING NUMBER | Cascade Orchards Assembly |
| MASS | N/A |

| | |
|--------------|--------|
| SHEET NUMBER | 1 of 1 |
|--------------|--------|



| | | | |
|---|-----------------|---|----------|
| ALL DIMENSIONS IN INCHES UNLESS NOTED | | | |
| A | DRAWING RELEASE | 7/26/2021 | ZB |
| REV | DESCRIPTION | DATE | APPROVED |
| Designs are property of INTAKE SCREENS INC; and are subject to change without notice. | | STANDARD TOLERANCES Fractional Dimensions ± 1/32 Decimal Dimensions ± 0.005 | |

www.intakescreensinc.com
CA C.L. 796197

ISI Intake Screens, Inc.
8417 River Road - Sacramento, California 95832
(916) 665-2727 (916) 665-2729 FAX

| | |
|-----------------|------------------|
| DATE | 7/26/21 |
| APP'D BY | RUSSELL BERRY IV |
| DRAWN BY | ZACH BREDBERG |
| "B" SHEET SCALE | |

| | |
|---------|------------------|
| PROJECT | CASCADE ORCHARDS |
|---------|------------------|

| | |
|-------------|--------------------|
| DESCRIPTION | Simple Timer Panel |
| MATERIAL | Painted Steel |

| | |
|----------------|--------------------|
| DRAWING NUMBER | Simple Timer Panel |
| MASS | 350 lbmass |

| | |
|--------------|--------|
| SHEET NUMBER | 1 of 1 |
|--------------|--------|